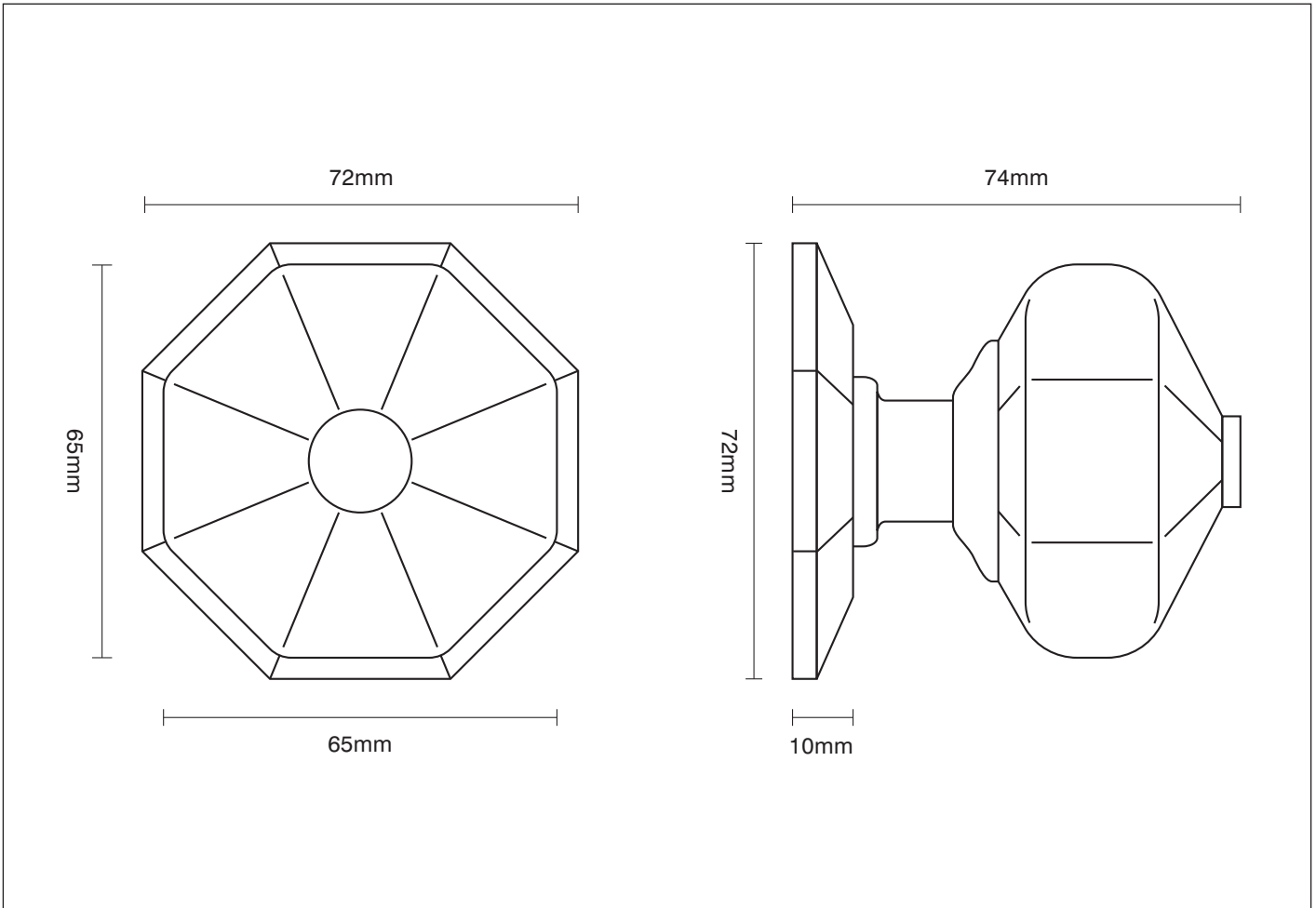


PRODUCT CODE

Option 10/1 octagonal pull knob



FURTHER INFORMATION

Option 10/1 octagonal pull knob

Available in Black Iron or Pewter Iron.



To view all the finishes available for this product please visit
www.traditionalwindowfittings.co.uk/traditional_fittings_specs.html

Please note that illustration sizes and finishes are approximate and for guidance only

8 Mill Road
West Mersea
Essex CO5 8RH
T. 01206 804 317
F. 01206 386 292
E. info@twfl.co.uk