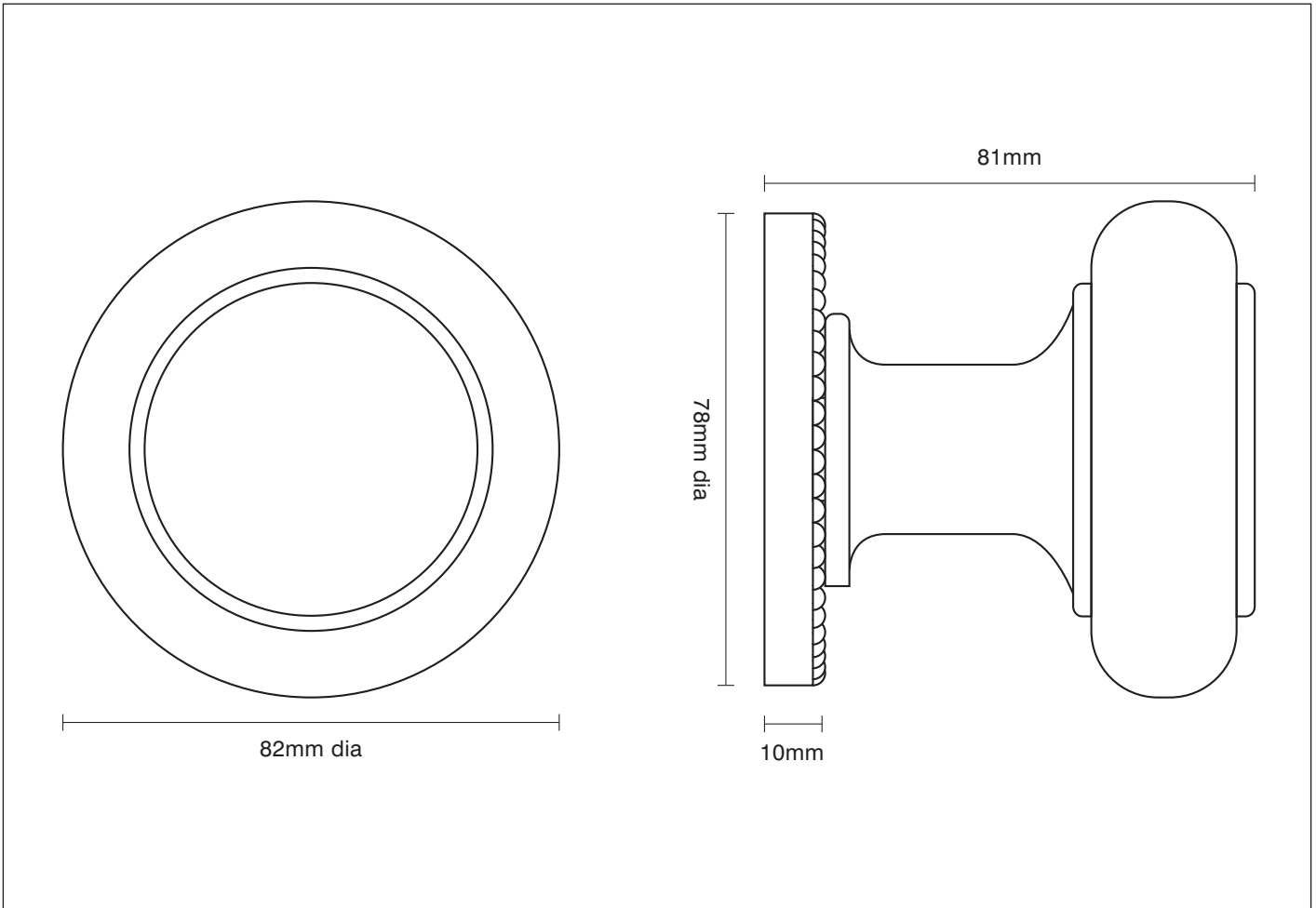


**PRODUCT CODE**

Option 10/2 round pull knob



**FURTHER INFORMATION**

Option 10/2 round pull knob

Available in Black Iron or Pewter Iron.



To view all the finishes available for this product please visit  
[www.traditionalwindowfittings.co.uk/traditional\\_fittings\\_specs.html](http://www.traditionalwindowfittings.co.uk/traditional_fittings_specs.html)

Please note that illustration sizes and finishes are approximate and for guidance only

8 Mill Road  
West Mersea  
Essex CO5 8RH  
T. 01206 804 317  
F. 01206 386 292  
E. [info@twfl.co.uk](mailto:info@twfl.co.uk)